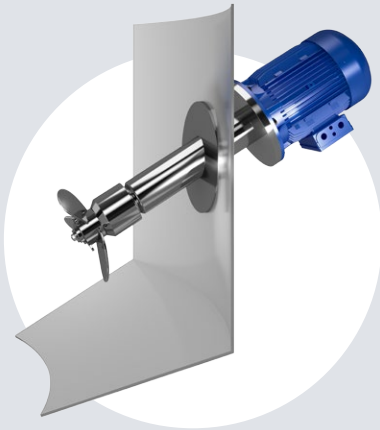


# MAGNETIC AGITATOR SIDE INSTALLATION

Product image



Industries



FOOD

Performance

Processes

(Long-term) storage tanks for NFC and FC juices / Sterile process / Batching and dissolving tanks

Viscosity range

1 - 5,000 mPas

Capacity range

1 - 7,000,000 litres (with only one agitator)

Technical features

## Material

316L (1.4404 / 1.4435) / Alloy  
+ further materials on request

## Seal material

SiC / EPDM / FKM / FFKM  
+ further materials on request

## Surfaces

Standard Ra < 0.8 µm ground  
+ higher quality possible

## Sealing system

Hermetically sealed (aseptic flange connection, welded flange)

## Zeugnisse / Konformitäten

EG 1935/2004 / 3.1 / FDA / ASME / GMP-compliant / EHEDG-compliant / ASME BPE-compliant

## Special features

- ✓ Exposed rotor shaft on drive side
- ✓ Easiest process integration
- ✓ Hermetically closed system
- ✓ Hygienic Design
- ✓ Low maintenance
- ✓ Easy maintenance
- ✓ Good cleanability
- ✓ Ultimate reliability



PRG



# EXCELLENT QUALITY, FIRST-CLASS ADVICE: THE PERFECT MIX FOR YOUR SUCCESS

More than 40 years of experience, innovative technologies and excellent service: this mix has turned PRG into one of the world's leading suppliers of agitator technology, agitators and agitator systems.

With the highest precision and state-of-the-art production methods, we develop and produce agitating machines and systems for you. You can not only rely on the quality of our products, but also on our extensive consulting expertise: in-depth knowledge of the industry and a sound understanding of processes ensure that we always provide you with the optimum technical solution for your requirements – whether you are a plant planner for large industrial applications or a medium-sized company.

Quality and precision down to the smallest detail – this is what customers worldwide from a wide range of industries rely on.



FOOD



NEW FOOD



COSMETICS



BIOGAS



PHARMA



BIOTECH



CHEMICALS

PRG Germany

## PRG Präzisions-Rührer GmbH

Anton-Böhlen-Straße 13  
34414 Warburg | Germany

Phone +49 5641 9006-0

Fax +49 5641 9006-99

Email [info@prg-gmbh.de](mailto:info@prg-gmbh.de)

[www.prg-gmbh.de](http://www.prg-gmbh.de)

PRG India

## PRG Agitators Pvt. Ltd.

66 Alindra, Savli GIDC  
Manjusar, Vadodara – 391 775  
Gujarat | India

Phone +91 909 998 99 07

Email [info@prgagitators.com](mailto:info@prgagitators.com)

[www.prgagitators.com](http://www.prgagitators.com)